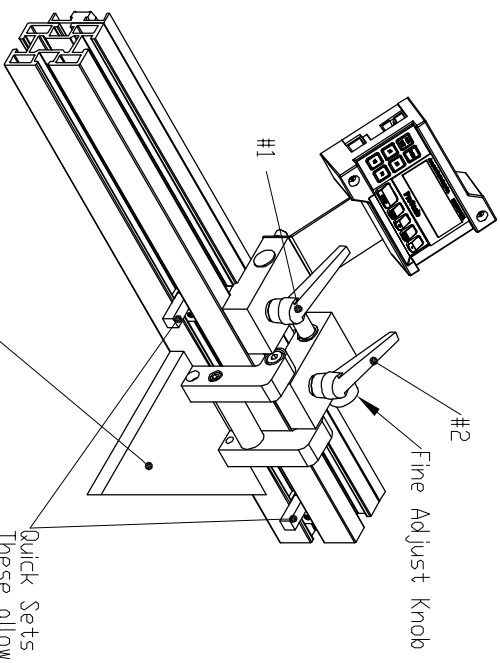


ProStop mounts to surface using 3/8" Heavy Hex Nuts (supplied), usually to bolts installed from bottom side.

45/90 stop plate!  
Easily reversed for 90 degree or 45 degree angle

Quick Sets  
These allow for very quick indexing to commonly used setup dimensions. 2 Quick Sets are included with every ProStop



To use the fine adjust feature:  
Slide stop into approximate position.  
Tighten lock knob #1.  
Turn fine adjust knob until the desired dimension is shown on DRU.  
Tighten lock knob #2.

