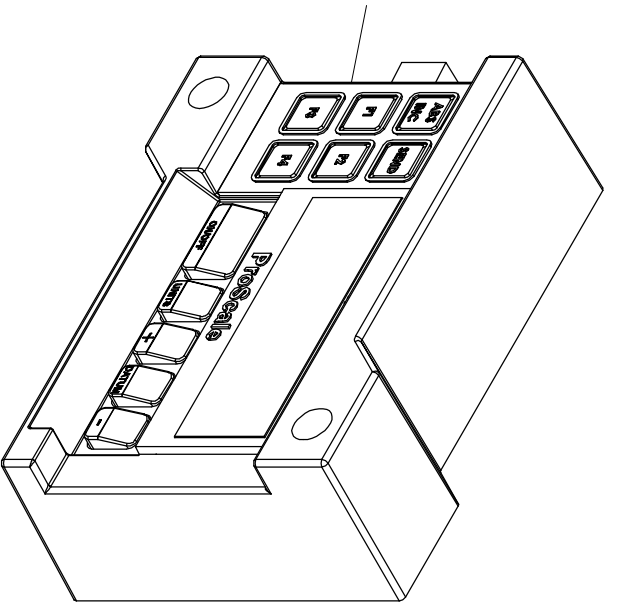
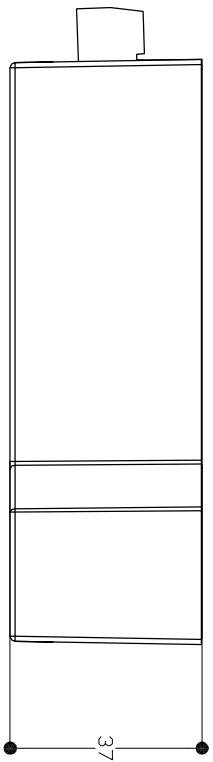


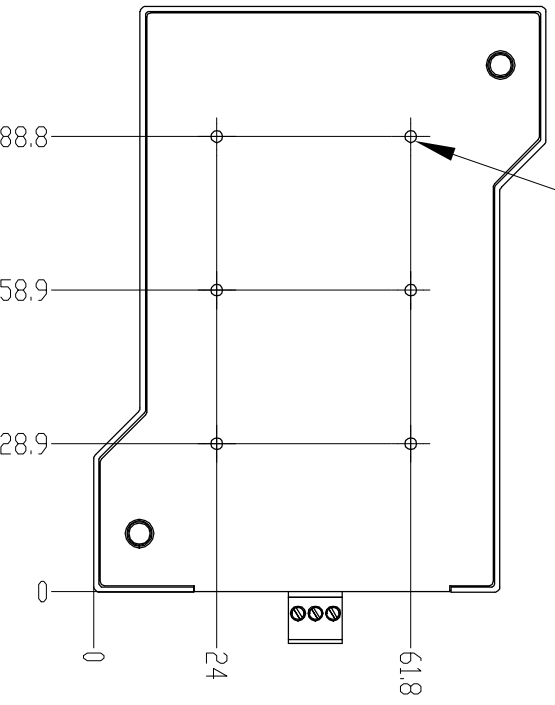
AUXILIARY KEYPAD
AND ADVANCED
FUNCTIONS NOT
PART OF BASIC
MODEL READDOUT



DISPLAY REQUIRES INTERNAL MODIFICATION
OR CUSTOM PROGRAMMING WHEN USED WITH
ANY ENCODER CONTAINING "N", "D", OR "L" IN THE PART NUMBER.



Can be used for mounting;
Use 4-40 x .25 inch or
Use M3 x 6mm
self-tapping screws



GENERAL PURPOSE MODEL
CAN BE POWERED BY 9-24DC
POWER SOURCE, REQUIRES "G"
VERSION ENCODERS & SCALES.

