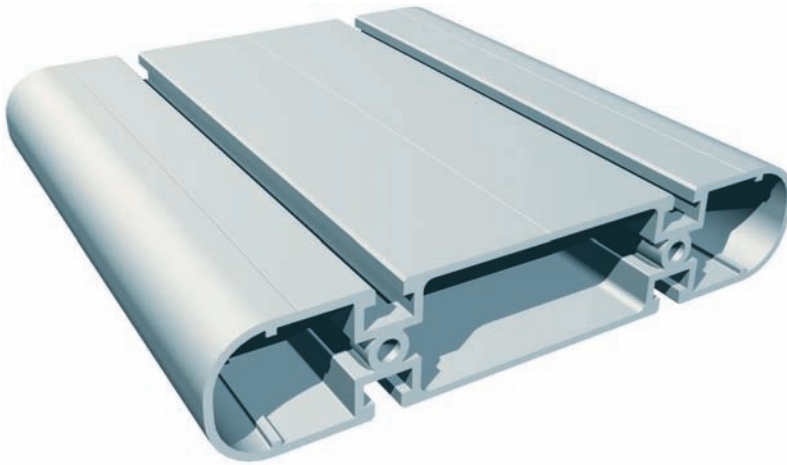


Stand profile

PS profiles



Characteristics

- For the quick and easy assembly of equipment racks, tables and racks
- Aluminium anodized
- Elegant and sturdy
- For inserting and screwing into the matching Die-cast aluminium feet
- Smooth, dirt-repellent surface
- Manufactured according to DIN EN 12020-2
- Profile cut upon request

Options:

- charcoal grey
- light grey

Technical specifications

	PS 200
Dimensions (W x H)	200 x 40 mm
Length	up to 3 metres (special lengths available upon request)
Weight	5940 g/m
Moment of inertia I_x	870.00 cm ⁴
Moment of inertia I_y	45.00 cm ⁴
Resisting momentum W_x	86.9 cm ³
Resisting momentum W_y	22.8 cm ³

Die-cast aluminium foot



2 pieces, with casters
Mounting materials included

Options:

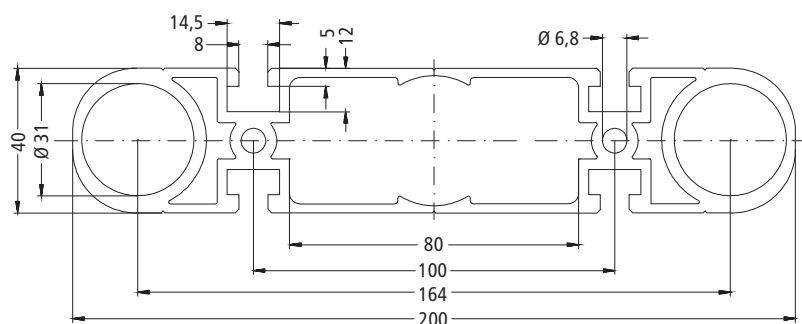
- charcoal grey
- light grey

Order data

Name (PS 200)	Item number
Aluminium anodized, 3m	208050 3000

Die-cast aluminium foot	Item number
Silver-grey (SU 2 pieces)	248700 3000

Scale drawing



Technical specifications subject to change.