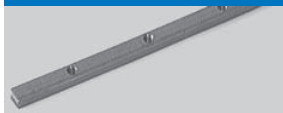


Accessories

Threaded bars



Threaded bar M6

- 13 x 6 mm • galvanised
- M6 Ra 50 mm • SU 3 pcs. 1 m each
- for PT / RE 40, 65

Item no.: 209 010

Threaded bar M6

- 10 x 4 mm • galvanised
- M6 Ra 50 mm • SU 3 pcs. 1 m each
- for all except PT / RE 40, 65 / SP

Item no.: 209 011

Slide nuts



Slide nut M6 (Image 1)

- L25 x W10 x H3.5 • galvanised
- SU 100 pieces
- for all except PT / RE 40, 65

Item no.: 209 001 0005

Slide nut M6 (Image 1)

- L 25 x W 13 x H 5 • galvanised
- SU 50 pieces
- for PT / RE 40, 65

Item no.: 209 004 0001

Slide nut 2 x M6 (Image 2)

- L45 x W10 x H3.5 • galvanised
- SU 50 pieces
- for all except PT / RE 40, 65

Item no.: 209 002 0004

Slide nut 2 x M6 (Image 2)

- L 45 x W 13 x H 6 • galvanised
- 2xM6 Ra 25mm • VE 25 pieces
- for PT / RE 40, 65

Item no.: 209 005 0001

Slide nut M5

- L25 x W10 x H3.5 • galvanised
- SU 20 pieces
- for all except PT / RE 40, 65

Item no.: 209 006 0001

Angle slide nut

2 x M6 (Image 3)

- galvanised • SU 25 pieces
- for all except PT / RE 40, 65

Item no.: 209 021 0003

Speciality angle slide nut

3 x M6 (Image 4)

- galvanised • SU 25 pieces
- for all except PT / RE 40, 65

Item no.: 209 022 0003

T-blocks



T-blocks M6

- DIN 508 • hardened
- SU 20 pieces
- for PT / RE 40, 65

Item no.: 209 119 0003

Clamp



Clamp SE

- with setscrew M6
- SU 2 pieces
- for RE / PT

Item no.: 290 051

Tensioning devices



Lever tensioning device

SH 1

- for RE / PT

Item no.: 290 001

Lever tensioning device

SH 2

- for RE / PT

Item no.: 290 002

Stop rails



Stop rail (galvanised)

- W 20 x H 10 • Ra 50
- SU 2 pcs. + mounting material

L 125 mm

Item no.: 290 021 0125

L 175 mm

Item no.: 290 021 0175

L 225 mm

Item no.: 290 021 0225

Edging tape / profile

Edging tape black
1-pieces

- for plate thicknesses 3 - 6 mm
- SU 10 m
- for all except PT

Item no.: 209 202 0001

Edging profile black
2-piece

- for plate thicknesses 3 - 6 mm
- SU 3 pcs. 3 m each
- for all except PT

Item no.: 209 212 3000

Cross-braces of PP 50



Cross-braces of PP 50

- L 490 mm
- mitre cut
- M6 boreholes
- for all except PT / RE 40, 65

Item no.: 209 300 0000

Strap hinge



Plastic strap hinge

- L 65 x W 40
- SU 10 pcs. + mount
- Ra 43 x 20 mm
- for PL

Item no.: 209 050 0012

Aluminium strap hinge

- L 40 x W 40 mm
- SU 10 pcs. + mount
- Ra 25 x 25 mm
- for all except PT / RE 40, 65

Item no.: 209 050 0011

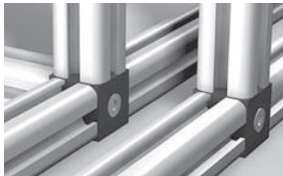
Accessories

Profile joint cubes



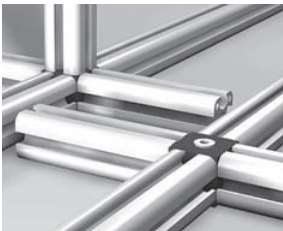
Profile joint cubes black

- SU 10 pieces + mounting material
 - for PU 25
- 2x
Item no.: **209 104 0002**
- 3x
Item no.: **209 103 0002**



Profile joint cube black

- SU 10 pieces + mounting material
 - for PU 25
- 3x
Item no.: **209 106 0002**
- 4x
Item no.: **209 107 0002**



Profile joint cubes black

- SU 10 pieces + mounting material
 - for PU 25
- 4x
Item no.: **209 108 0002**
- 5x
Item no.: **209 109 0002**

Profile covers



Profile covers black

- PU 25 - 25 pcs.
Item no.: **209 105 0003**
- PU 50 - 25 pcs.
Item no.: **209 126 0003**

Technical specifications subject to change.

- PL 40 - 20 pcs.
Item no.: **209 127 0003**
- PL 80 - 20 pcs.
Item no.: **209 128 0003**
- PS 50 - 25 pcs.
Item no.: **209 129 0003**
- PS 80 - 20 pcs.
Item no.: **209 130 0003**
- PS 140 - 10 pcs.
Item no.: **209 130 1001**

Aluminium corner connection



Aluminium corner connection

- L 25 x W 25 x H 15 • galvanised
 - SU 10 pieces + mounting material
 - for PL, PS, PU, PP
- natural

Item no.: **209 114 0101**

black

Item no.: **209 114 0111**

Aluminium corner connection

- L 40 x W 40 x H 22
 - SU 10 pieces + mounting material
 - für PP / PL / PS / PU
- natural

Item no.: **209 115 0101**

black

Item no.: **209 115 0111**

Aluminium corner connection

- L 50 x W 50 x H 15
 - SU 10 pieces + mounting material
 - für RE / PU / PS / PU
- natural

Item no.: **209 116 0101**

black

Item no.: **209 116 0111**

Aluminium corner connection

- L 80 x W 80 x H 22
 - SU 10 pieces + mounting material
 - für PP / PL / PS / PU
- natural

Item no.: **209 117 0101**

black

Item no.: **209 117 0111**

Plastic equipment feet



Plastic equipment feet with rubber plate

- SU 4 pieces, with setscrews
- black

for PL 40 / PS 50

- Ø 60
 - Setscrews M10 x 45
- Item no.: **209 032 0003**

for PL 80 / PS 80

- Ø 80
 - Setscrews M12 x 45
- Item no.: **209 034 0001**

for PL 80 / PS 80

- Ø 120
- Locking screws M12 x 45
- black

Item no.: **209 033 0003**

Casters



Rubber casters Ø 75 M10

- SU 4 pieces
- 2 with and 2 without locking brake
- for PL 40 / PS 50

Item no.: **209 043 0011**

Aluminium equipment feet



Aluminium equipment feet with rubber plate

for PU 50

- SU 4 pieces, with setscrews and adapter bushings
- Ø 50
- Setscrews M6 x 30
- natural

Item no.: **209 030 0000**

for PS 100

- Ø 170
- Setscrews M16 x 100
- black

Item no.: **209 035 0001**

T-groove cover



T-groove cover

- SU 30 m
- (turquoise = similar to RAL 5018)
- for all except PT / RE 40, 65

black Item no.: **209 201 0004**

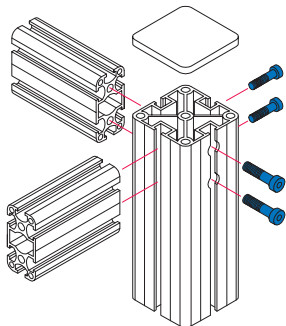
turquoise Item no.: **209 201**

0003

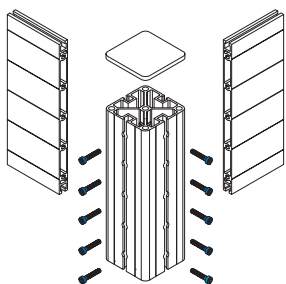
Profile connections

Examples:

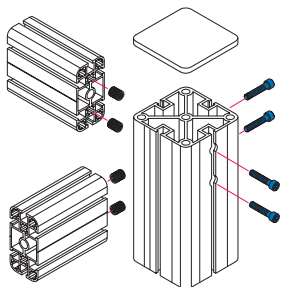
PS 50 with PU 50



PS 50 with PP 250



PS 80 with PL 80



Hexagon socket screws

Hexagon socket screws
M6 x 25 mm

- SU 10 pcs.
Item no.: 209 147 0009
- SU 50 pcs.
Item no.: 209 147 0010

Hexagon socket screws
M6 x 50 mm

- SU 10 pcs.
Item no.: 209 147 0003
- SU 50 pcs.
Item no.: 209 147 0004

Hexagon screw driver
SW 5

- DIN 911
- SU 1 piece
Item no.: 931 152

Threaded bushings

Threaded bushings
M9 / M6

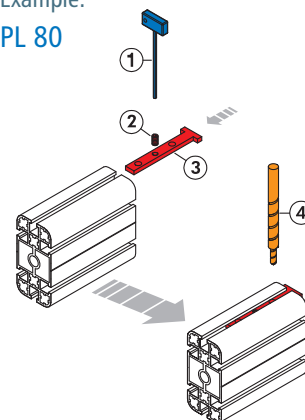
- SU 10 pcs.
Item no.: 209 147 0001
- SU 50 pcs.
Item no.: 209 147 0002

Threaded bushings
M10 / M6

- SU 10 pcs.
Item no.: 209 147 0124
- SU 50 pcs.
Item no.: 209 147 0125

Example:

PL 80



- ① Sechskantschraubendreher SW 3
- ② Gewindestift M5
- ③ Bohrschablone
- ④ Stufenbohrer
Ø 6 mm / Ø 10,4 mm

Example PL 80

Drill jig 1

Item no.: 290 015 0001

Drill jig 2

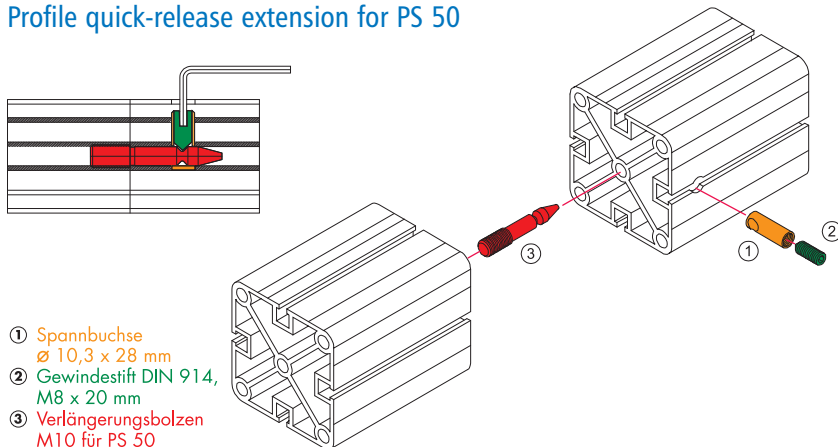
Item no.: 290 015 0002

Step drill

- Ø 6 / Ø 10.4 mm
Item no.: 400 090

Example:

Profile quick-release extension for PS 50



- ① Spannbuchse
Ø 10,3 x 28 mm
- ② Gewindestift DIN 914,
M8 x 20 mm
- ③ Verlängerungsbolzen
M10 für PS 50

for PS 50 / PL 40 (M10)

- Clamping bushing, grub screw, extension bolt
- 10 sets
Item no.: 209 147 0120
- 50 sets
Item no.: 209 147 0121

for PS 80 / PL 80 (M12)

- Clamping bushing, grub screw, extension bolt
- 10 sets
Item no.: 209 147 0122
- 50 sets
Item no.: 209 147 0123

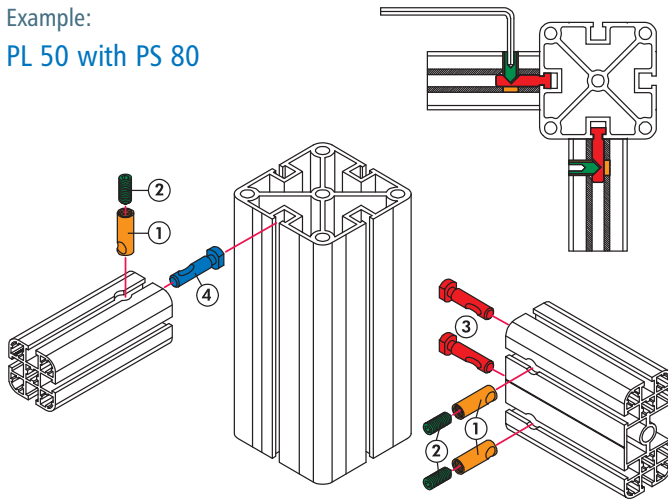
matching drill jig 2

Item no.: 290 015 0002

Technical specifications subject to change.

Profile quick-release connectors

Example:
PL 50 with PS 80



- ① Spannbuchse $\varnothing 10,3 \times 28$ mm
- ② Gewindestift DIN 914, M6 x 20 mm
- ③ Verbindungsbolzen 0° für PL 40 u. PL 80
- ④ Verbindungsbolzen 90° für PL 40 u. PL 80

Quick-release connector 0°

for PL 80 / PS 80

- Clamping bushing, grub screw and bolt 0°
- 10 sets:
Item no.: **209 147 0102**
- 50 sets:
Item no.: **209 147 0103**

für PP / PU / PS / PU

- Clamping bushing, grub screw and bolt 0°
- 10 sets:
Item no.: **209 147 0100**
- 50 sets:
Item no.: **209 147 0101**

Quick-release connector 90°

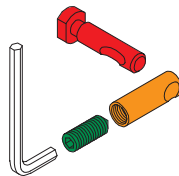
for PL / PS 80

- Clamping bushing, grub screw and bolt 90°
- 10 sets:
Item no.: **209 147 0112**
- 50 sets:
Item no.: **209 147 0113**

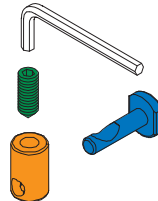
for PP / PU / PS

- Clamping bushing, grub screw and bolt 90°
- 10 sets:
Item no.: **209 147 0110**
- 50 sets:
Item no.: **209 147 0111**

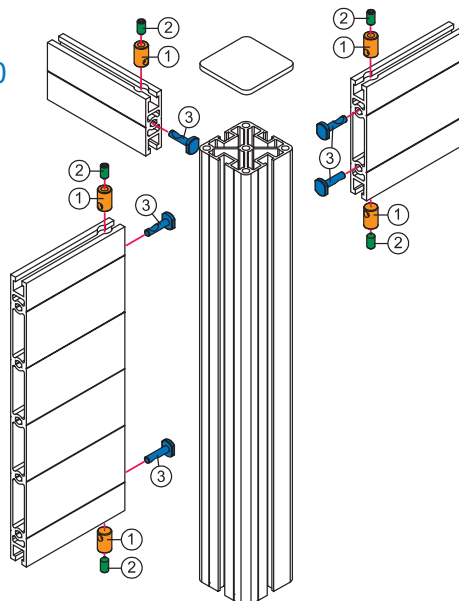
Quick
release
connector 0°
e.g. for
PL / PS 80



Quick
release
connector 90°
e.g. for
für PP / PU / PS



Example:
PP 50 with PS 50



- ① Spannbuchse $\varnothing 10,3 \times 16,5$ mm
- ② Gewindestift DIN 914, M6 x 12 mm
- ③ Verbindungsbolzen 90°

Technical specifications subject to change.

Step drill

- $\varnothing 6 / \varnothing 10,4$ mm
- Item no.: **400 090**

matching drill jig 2

- Item no.: **290 015 0002**

Hexagon screw driver SW 3

- DIN 911
- Item no.: **931 150**