

Linear guide

LFS-16-S2

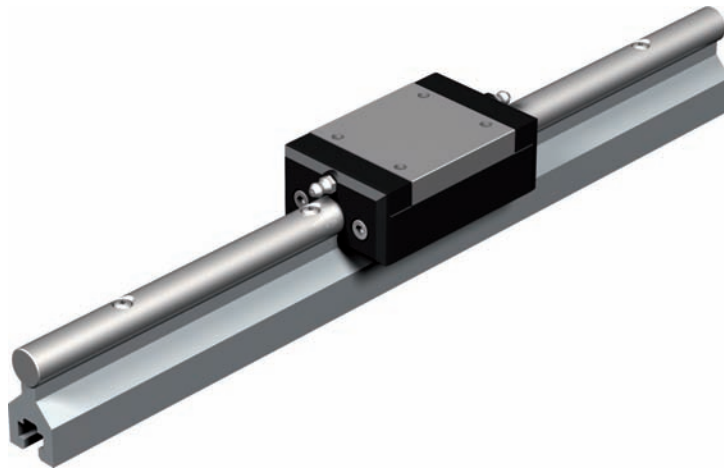
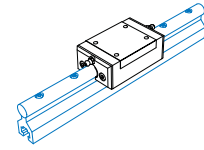


Figure:
Linear guide rail and linear guide slide

linear guide rail LS-16-2



- 1 precision steel shaft Ø 16 mm
- Mounting grid 100 mm
- Aluminium profile track with T-groove indents, 25 mm grid, anodized
- Shaft intake contour
- Conditionally cantilevered
- Standard length 3 m, segmentable as needed
- Weight: 1.26 kg/m

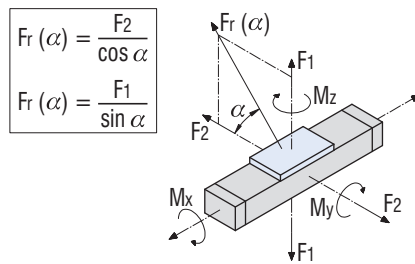
Item no.: **220002 0998** (Length 1 m)
220002 1998 (Length 2 m)
220002 2998 (Length 3 m)

Option:

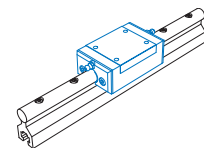
- Other lengths (longer or shorter)

Load data

Linear guide Steel FS-16-S0	
C ₀	5065 N
C	3238 N
F ₁ stat.	4325 N
F ₁ dyn.	2765 N
F ₂ stat.	5065 N
F ₂ dyn.	3238 N
M _x stat.	-
M _y stat.	113.4 Nm
M _z stat.	132.8 Nm
M _x dyn.	-
M _y dyn.	72.4 Nm



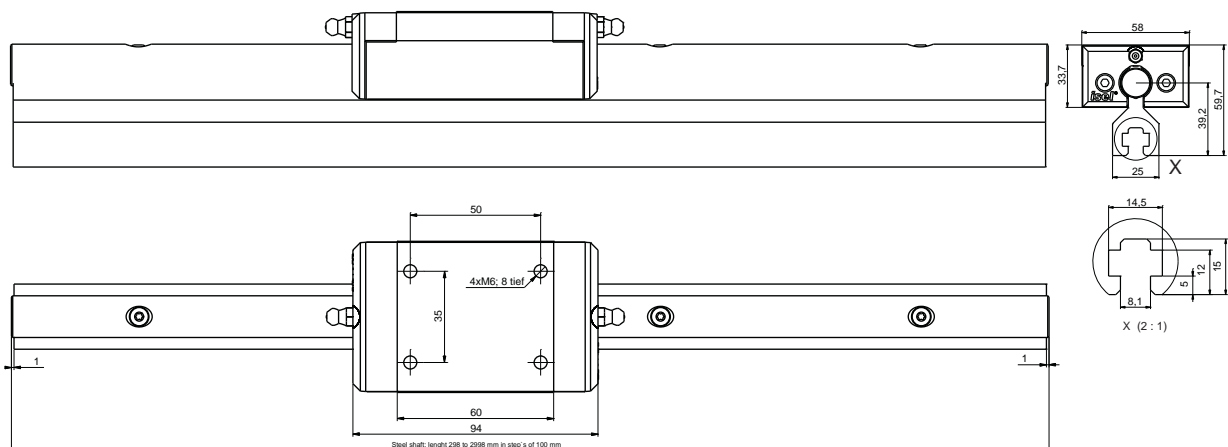
Linear guide slide FS-16-S0



- Steel slide
- L 94 x W 58 x 33.7 mm
- 4 ball races, adjustable backlash-free
- Lubricating nipple on the face
- Weight: 0.72 kg

Item no.: **223210**

Scale drawing



Technical specifications subject to change.