

# Linear guide

# LFS-16-2

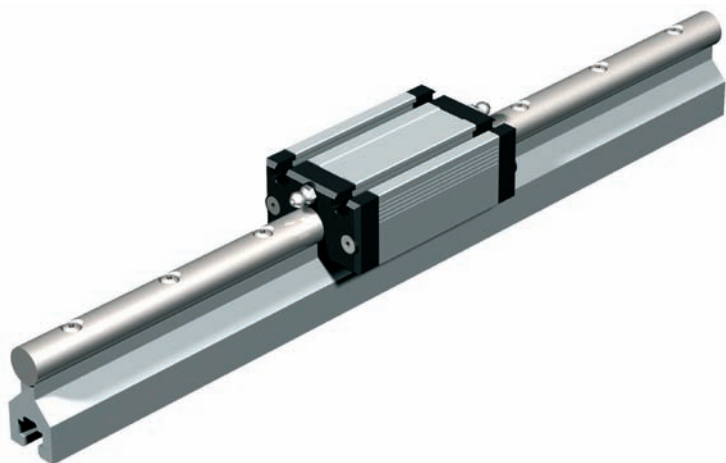
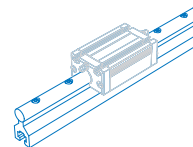


Figure:  
Linear guide rail and linear guide slide

## Linear guide rail LS-16-2



- 1 precision steel shaft Ø 16 mm
- Mounting grid 100 mm
- Aluminium profile track with T-groove indents, 25 mm grid, anodized
- Shaft intake contour
- Conditionally cantilevered
- Standard length 3 m, segmentable as needed
- Weight: 1.26 kg/m

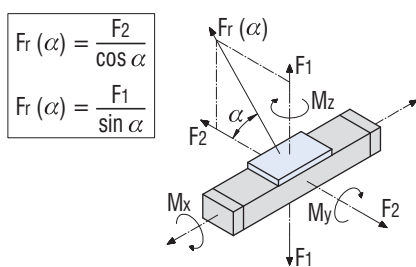
Item no.: **220002 0998** (Length 1 m)  
**220002 1998** (Length 2 m)  
**220002 2998** (Length 3 m)

Option:

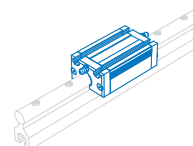
- Other lengths (longer or shorter)

## Load data

Linear guide Aluminium FS-16-0	
C <sub>0</sub>	3286 N
C	1773 N
F <sub>1</sub> stat.	2806 N
F <sub>1</sub> dyn.	1514 N
F <sub>2</sub> stat.	8286 N
F <sub>2</sub> dyn.	1773 N
M <sub>x</sub> stat.	--
M <sub>y</sub> stat.	104.7 Nm
M <sub>z</sub> stat.	122.6 Nm
M <sub>x</sub> dyn.	--
M <sub>y</sub> dyn.	56.4 Nm
M <sub>z</sub> dyn.	66.1 Nm



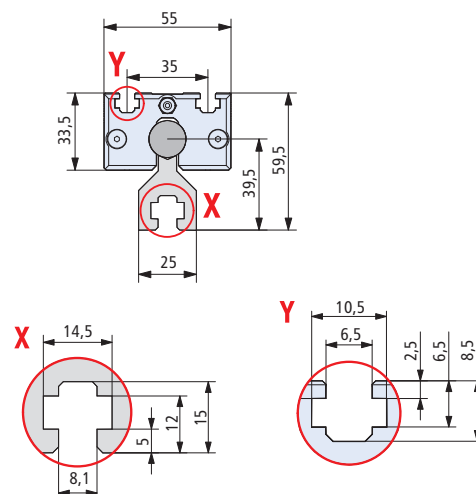
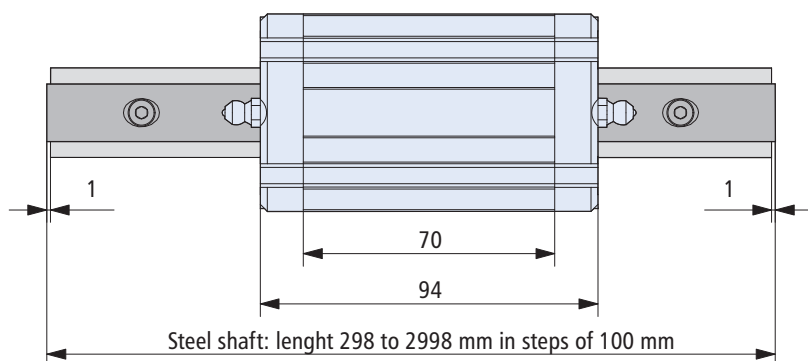
## Linear guide slide FS-16-0



- Aluminium slide with 8 steel inserts
- L 94 x W 55 x H 33.5 mm
- 4 ball races, adjustable backlash-free
- Lubricating nipple on the face
- Weight: 0.32 kg

Item no.: **223220**

## Scale drawing



Technical specifications subject to change.