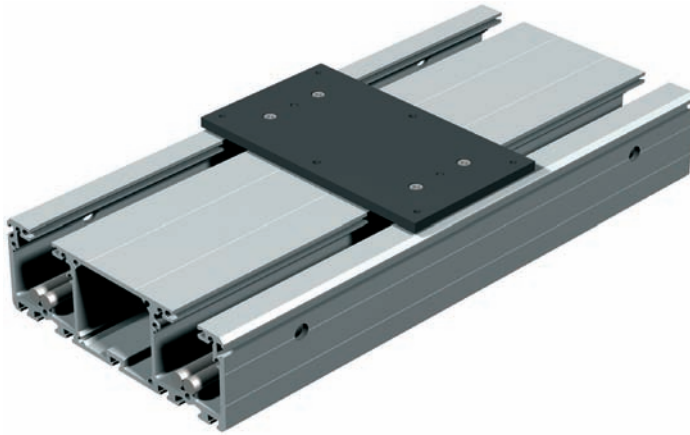


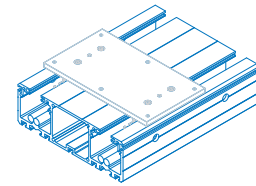
# Linear guide

# LFS-12-5



**Figure:**  
Linear guide rail and linear guide slide with slide panel

## Linear guide rail LS-12-5



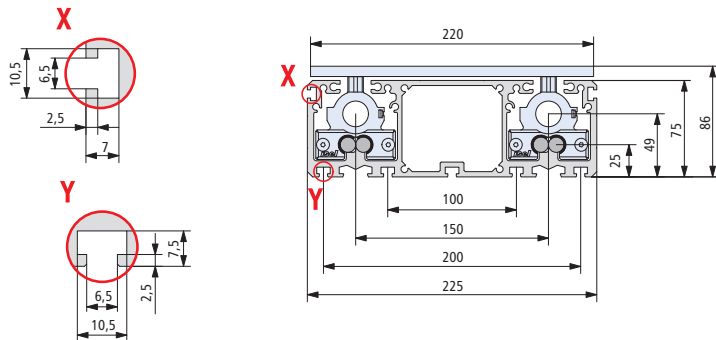
- 4 precision steel shafts Ø 12 mm  
Twist-proof
- Aluminium linear guide rail, anodized
- Milled shaft intake contour
- Conditionally cantilevered
- Standard length 3 m, segmentable as needed
- Weight: 11.8 kg/m

Item no.: **235500 0099** (Length 1 m)  
**235500 0199** (Length 2 m)  
**235500 0299** (Length 3 m)

Options:

- Profile sealed with abrasion-proof sealing lips (not pictured)
- Other lengths (longer or shorter)

## Scale drawings



## Linear guide slide FS-12-5



- Aluminium slide with steel insert  
L 95 x W 62 x H 64 mm
- Milled clamping surface
- 4 ball races, adjustable backlash-free
- Side lubricating nipple
- Weight: powered 0.339 kg  
Carriage 0.399 kg

Item no.: **223030 0070**

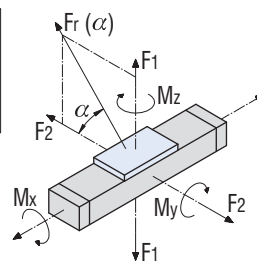
## Load data

Linear guide LFS-12-5

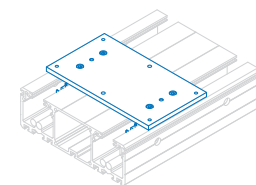
Linear guide 2 x aluminium FS-12-5		Linear guide 4 x aluminium FS-12-5	
C <sub>0</sub>	5153.30 N	C <sub>0</sub>	5153.30 N
C	2319.41 N	C	2319.41 N
F <sub>1</sub> stat.	4401.33 N	F <sub>1</sub> stat.	4401.33 N
F <sub>1</sub> dyn.	1980.96 N	F <sub>1</sub> dyn.	1980.96 N
F <sub>2</sub> stat.	5153.30 N	F <sub>2</sub> stat.	5153.30 N
F <sub>2</sub> dyn.	2319.41 N	F <sub>2</sub> dyn.	2319.41 N
M <sub>x</sub> stat.	376.59 Nm	M <sub>x</sub> stat.	376.59 Nm
M <sub>y</sub> stat.	164.31 Nm	M <sub>y</sub> stat.	164.31 Nm
M <sub>z</sub> stat.	192.39 Nm	M <sub>z</sub> stat.	192.39 Nm
M <sub>x</sub> dyn.	169.49 Nm	M <sub>x</sub> dyn.	169.49 Nm
M <sub>y</sub> dyn.	73.95 Nm	M <sub>y</sub> dyn.	73.95 Nm
M <sub>z</sub> dyn.	86.59 Nm	M <sub>z</sub> dyn.	86.59 Nm

$$F_r(\alpha) = \frac{F_2}{\cos \alpha}$$

$$F_r(\alpha) = \frac{F_1}{\sin \alpha}$$



## Slide panel for FS-12-5



- 2 or 4 linear guide slides
- Slide panel (steel ground)

1 slide: L 220 x W 125 x H 8 mm  
Item no.: **277003**  
2 slides: L 255 x W 220 x H 8 mm  
Item no.: **277004**

Technical specifications subject to change.