

Linear guide

LFS-12-150

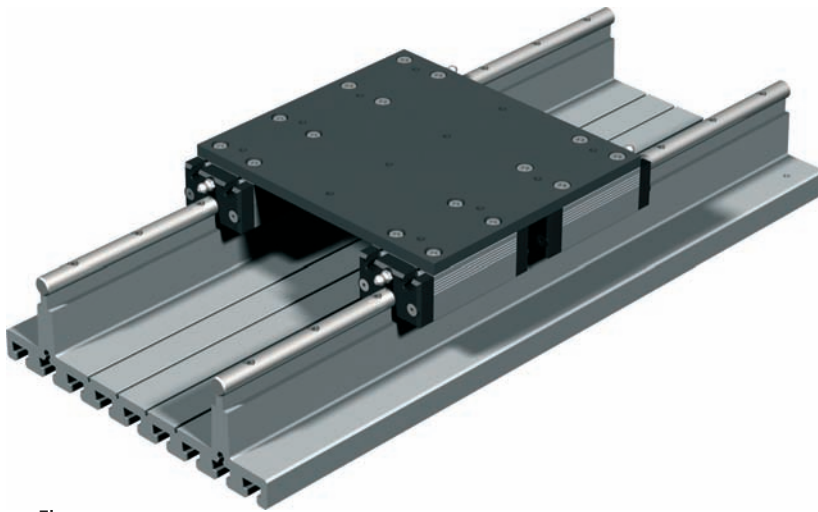
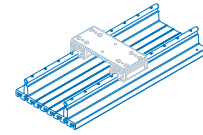


Figure:
Linear guide rail and 4 linear guide slides with slide panel

Linear guide rail LS-12-150



- 2 precision steel shafts Ø 12mm
Mounting grid 100 mm
- Aluminium profile track with T-groove
indents, 25 mm grid, anodized
- Precise shaft intake contour
milled in a clamp mount
- Conditionally cantilevered
- Standard length 3 m,
segmentable as needed
- Weight: 7.44 kg/m

Item no.: **220035 0099** (Length 1 m)
220035 0199 (Length 2 m)
220035 0299 (Length 3 m)

Option:

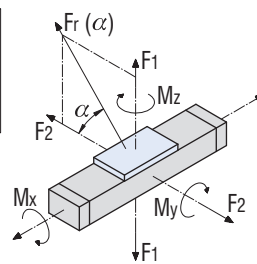
- Other lengths (longer or shorter)

Load data

Linear guide LFS-12-150 2 aluminium slides		Linear guide LFS-12-150 4 aluminium slides	
C ₀	4955 N	C ₀	6606 N
C	2810 N	C	3746 N
F ₁ stat.	4232 N	F ₁ stat.	5642 N
F ₁ dyn.	2399 N	F ₁ dyn.	3198 N
F ₂ stat.	4955 N	F ₂ stat.	6606 N
F ₂ dyn.	2810 N	F ₂ dyn.	3746 N
M _x stat.	317.4 Nm	M _x stat.	423.2 Nm
M _y stat.	148.1 Nm	M _y stat.	310.3 Nm
M _z stat.	173.4 Nm	M _z stat.	363.3 Nm
M _x dyn.	179.9 Nm	M _x dyn.	239.9 Nm
M _y dyn.	83.9 Nm	M _y dyn.	175.9 Nm
M _z dyn.	98.3 Nm	M _z dyn.	206.0 Nm

$$F_r(\alpha) = \frac{F_2}{\cos \alpha}$$

$$F_r(\alpha) = \frac{F_1}{\sin \alpha}$$



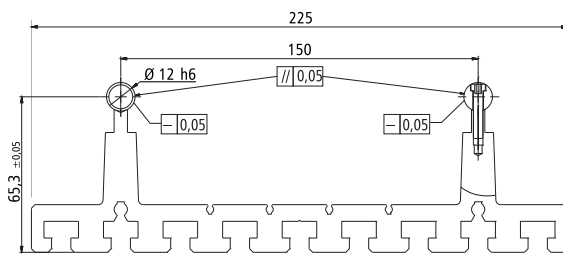
Linear guide slide FS-12-0



- Aluminium slide with 8 steel inserts
L 100 x W 50 x H 32 mm
- 4 ball races, adjustable backlash-free
- Lubricating nipple on the face
- Weight: 0.30 kg

Item no.: **223106 0070**

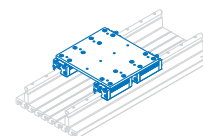
Scale drawing



The two prismatic shaft intake contours are simultaneously produced clamped on a dual side milling cutter. This process ensures a high parallelism between the two precision steel shafts to each other. Both steel shafts are bolted down onto the milled profile in a grid of 100 mm.

Technical specifications subject to change.

Linear guide slide FS-12-0 with slide panel



- 2 or 4 linear guide slides
- Slide panel (steel ground)
- adjustable backlash-free
- Weight: 1.48 kg or 3.05 kg respectively

Item no.: **223240 0030** (2 slides)
223240 0031 (4 slides)