

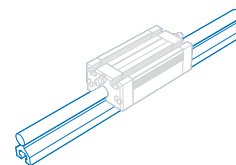
Linear guide

LFS-12-11



Figure:
Linear guide rail and linear guide slide

Linear guide rail LS-12-11



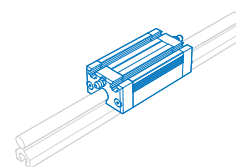
- 1 precision steel shaft Ø 12 mm
- Mounting grid 100 mm
- Aluminium profile track with T-groove indents, anodized
- Precise shaft intake contour milled in a clamp mount
- Conditionally cantilevered
- Standard length 3 m, segmentable as needed
- Weight: 1.26 kg/m

Art.-no.: **220002 0998** (Length 1 m)
220002 1998 (Length 2 m)
220002 2998 (Length 3 m)

Option:

- Other lengths (longer or shorter)

Linear guide slide FS-12-0



- Aluminium slide with 8 steel inserts
- L 96 x W 50 x H 31.5 mm
- 4 ball races, adjustable backlash-free
- Lubricating nipple on the face
- Weight: 0.32 kg

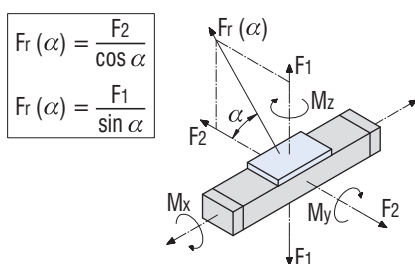
Item no.: **223106 0070**

Option:

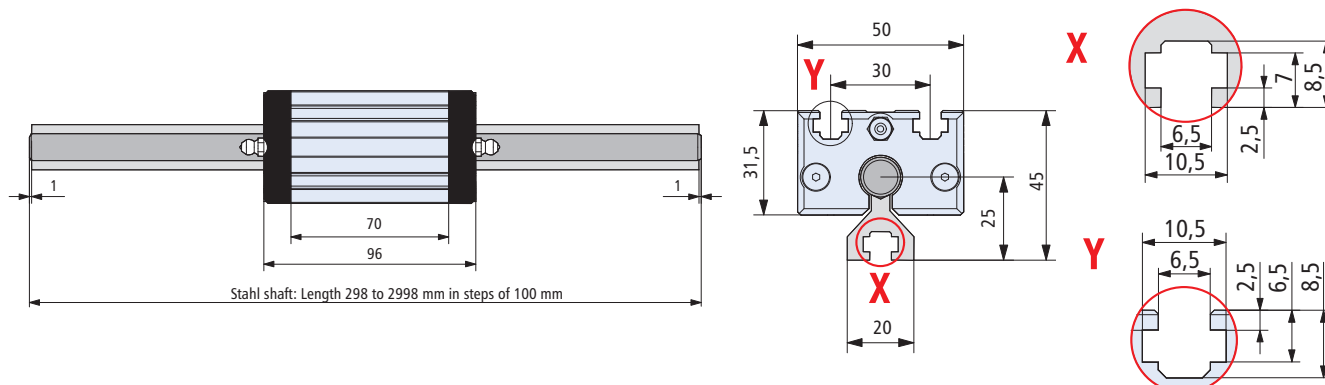
- Linear guide slides with sliding bushes

Load data

Linear guide Aluminium FS-12-0	
C ₀	3303 N
C	1873 N
F ₁ stat.	2821 N
F ₁ dyn.	1599 N
F ₂ stat.	3303 N
F ₂ dyn.	1873 N
M _x stat.	-
M _y stat.	105.3 Nm
M _z stat.	123.3 Nm
M _x dyn.	-
M _y dyn.	59.7 Nm
M _z dyn.	69.9 Nm



Scale drawings



Technical specifications subject to change.