

Linear guide

iLF-20

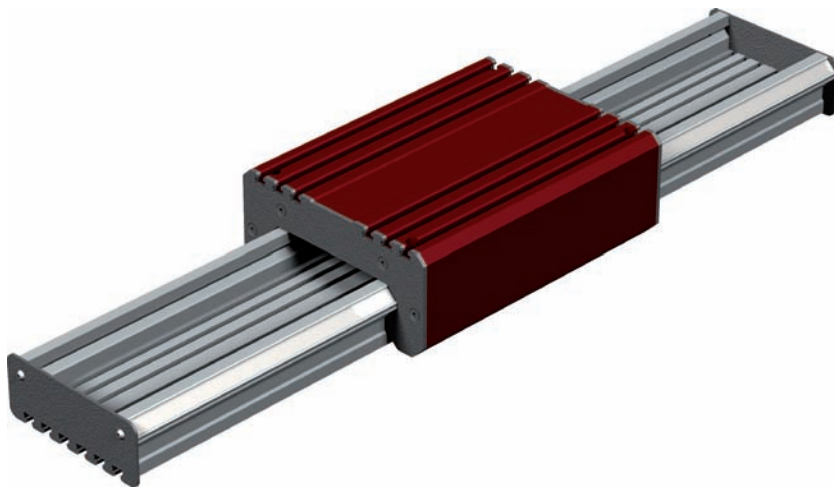


Figure:
Linear guide rail and linear guide slide

Linear guide rail LF-20



- Aluminium profile anodized with T-groove indents
- Swallowtail guide with 4 steel band inserts
- conditionally cantilevered
- Standard length 3m (max.6m)
- Weight: 12.2 kg/m

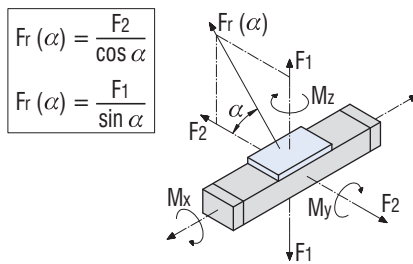
Item no.: **220026 0099** (Length 1 m)
220026 0199 (Length 2 m)
220026 0299 (Length 3 m)

Option:

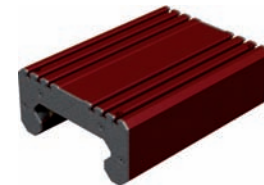
- Other lengths (longer or shorter)

Load data

| Linear guide iLF-20 | |
|----------------------|---------|
| C ₀ | 8553 N |
| C | 15652 N |
| F ₁ stat. | 8553 N |
| F ₁ dyn. | 15652 N |
| F ₂ stat. | 8553 N |
| F ₂ dyn. | 15652 N |
| M _x stat. | 622 Nm |
| M _y stat. | 1035 Nm |
| M _z stat. | 1035 Nm |
| M _x dyn. | 1138 Nm |
| M _y dyn. | 1894 Nm |
| M _z dyn. | 1894 Nm |



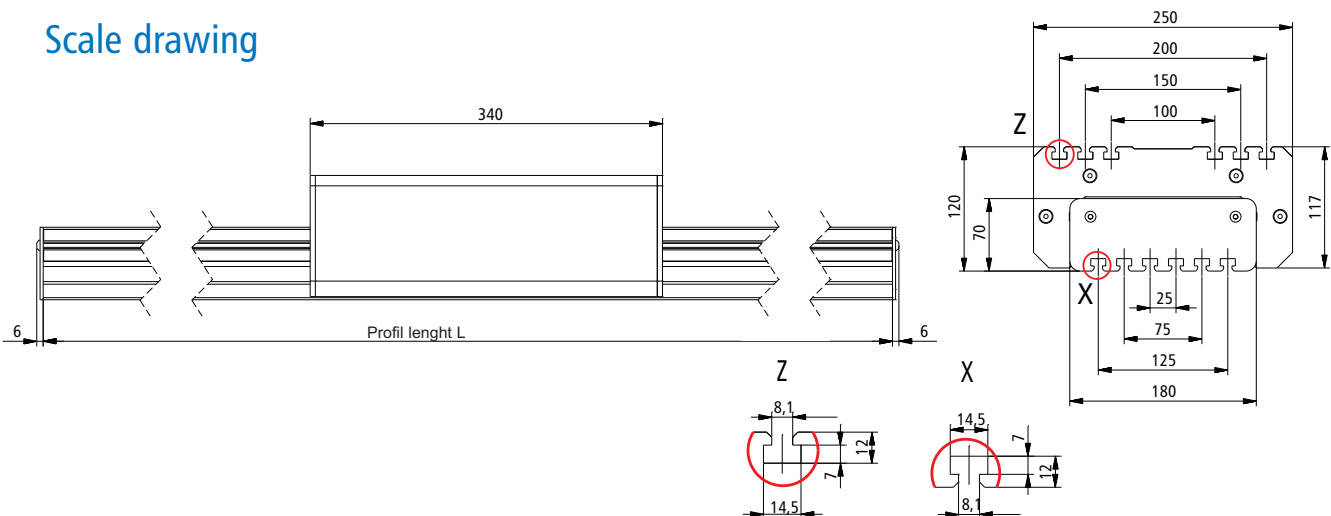
Linear guide slide LS-20



- Aluminium slide red anodized L 340 x W 250 x H 117 mm
- 4 ball bearings Ø 42 with rotary bearing inserts
- adjustable backlash-free
- smooth-running and maintenance-free
- Weight: 9.8 kg

Item no.: **223015**

Scale drawing



Technical specifications subject to change.